

SERVO OPERATED VALVES

SV Series

- Available normally closed or normally open.
- Brass body and cover
- Stainless steel inner construction
- Optional seal materials
- Response time 16/18 milliseconds
- Operating range -10°C to +50°C

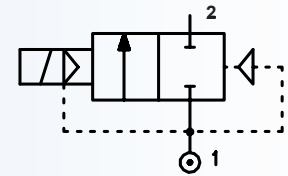


Delta Flowtech



TECHNICAL DATA

Part No.	Size [mm]	Orifice [mm]	Flow KV [l/min]	Pressure AC [bar]	Pressure DC [bar]
SV38	3/8"	12	33	0.2-12	7
SV15	1/2"	12	33	0.2-12	7
SV20	3/4"	18	86	0.2-12	7
SV25	1"	25	166	0.2-12	7
SV32	1 1/4"	36	283	0.2-12	10
SV40	1 1/2"	36	283	0.2-12	10
SV50	2"	50	600	0.2-12	10



Construction materials & operating conditions

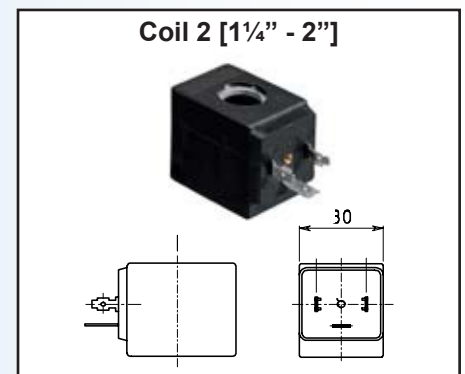
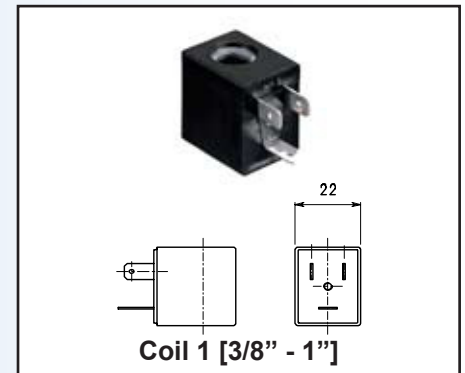
Body	OT58 Brass
Internals	Stainless steel
Shading ring	Copper
Electrical parts	See coil chart
Seal materials	NBR, Viton® or EPDM
Media	Air, Gas, Water [hot & cold] Oil, non-corrosive fluids
Flow factor	See chart above
Pressure range	See chart above
Temperature range	See chart above
Ambient temperature	-10°C to +50°C
Response time	16/18 milliseconds
Mounting	Horizontal preferred.

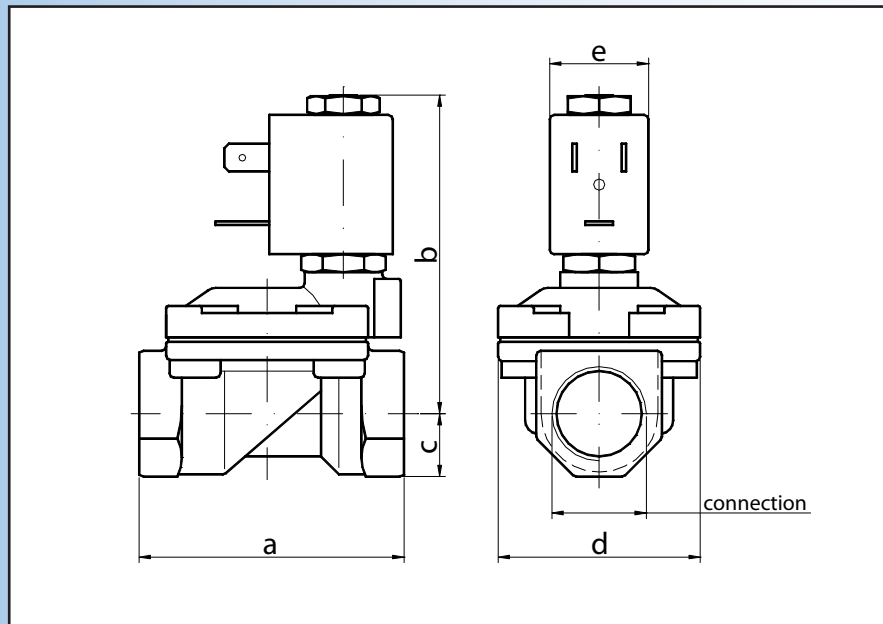
WHEN ORDERING, please specify as follows:

Part No - N/C or N/O - Seal material type - voltage			
e.g.: SV15	N/O	NBR	230

Coil ref.	AC [-50/60Hz volt]			DC [volt]			Connection [Din]	Connectors
	24	110	230	12	24	48		
1	24S	110S	230S	12DCS	24DCS	48DCS	46244	PG9 10348000
2	24L	110L	230L	12DCL	24DCL	48DCL	43650A	PG9 13049000

Coil type is displayed on chart overleaf





Part No.	Size [mm]	Connection Ø [mm]	a [mm]	b [mm]	c [mm]	d [mm]	e [mm]	Coil
SV375	3/8"	10	49	65	11	32	22	1
SV375	3/8"	12	59	70	14	45	22	1
SV5	1/2"	12	59	70	14	45	22	1
SV75	3/4"	12	79	74	18	55	22	1
SV1	1"	12	96	85	20	72	22	1
SV125	1 1/4"	12	119	92	25	85	22	1
SV125	1 1/4"	30	142	107	28	102	30	2
SV15	1 1/2"	30	142	107	28	102	30	2
SV2	2"	30	158	117	35	119	30	2

All sizes are approximate and are given for guidance only.
 Products and specifications may be subject to change from those shown without notice.